

**PB-265ESLT**

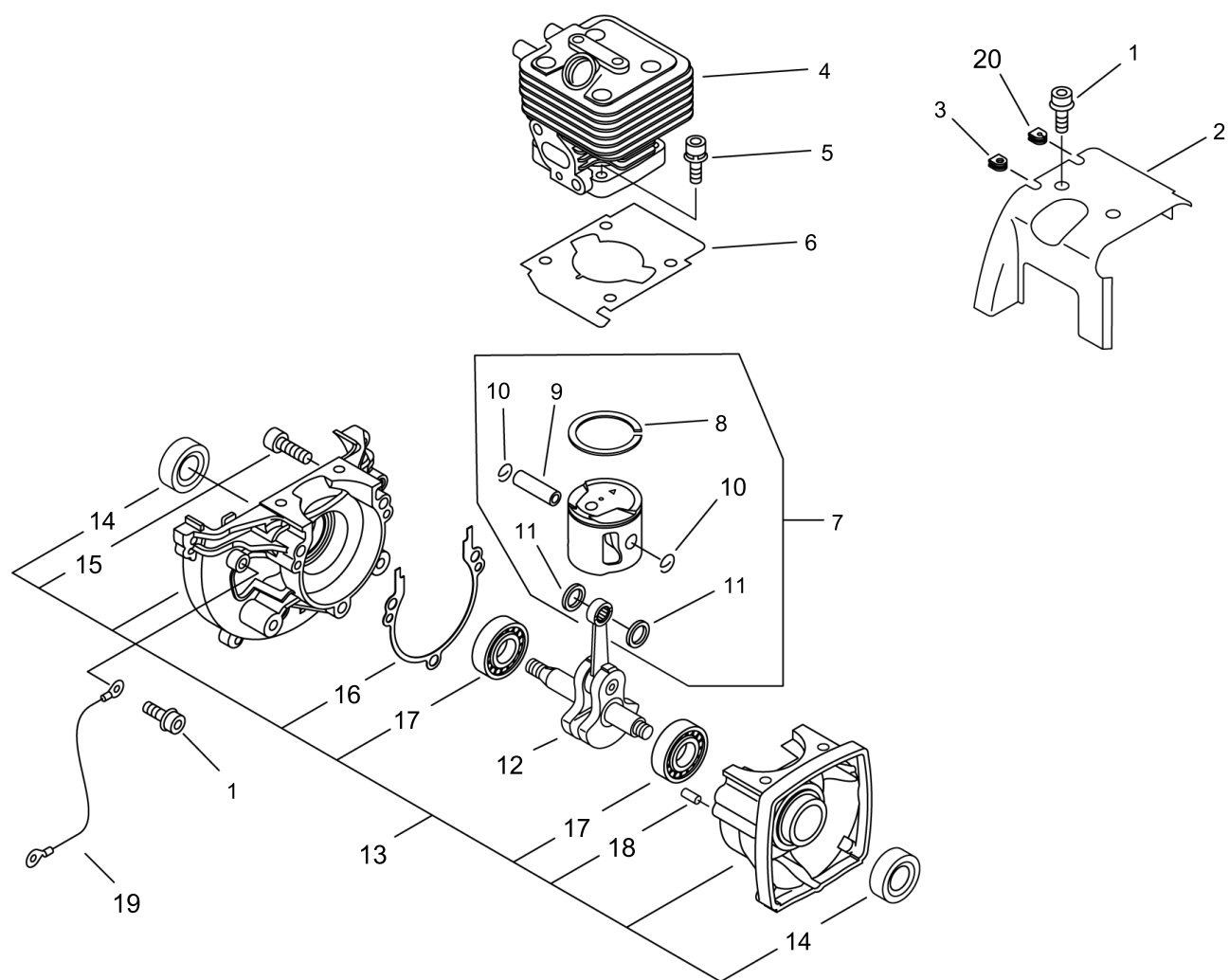
**Published:10/27/2018**

## TABLE OF CONTENTS

---

CYLINDER, CRANKCASE, PISTON .....	1
STARTER, MAGNETO .....	3
AIR CLEANER, CARBURETOR, MUFFLER.....	5
FUEL TANK.....	7
FAN CASE .....	9
FRAME.....	11
THROTTLE .....	13
PIPE.....	15
CARBURETOR.....	17

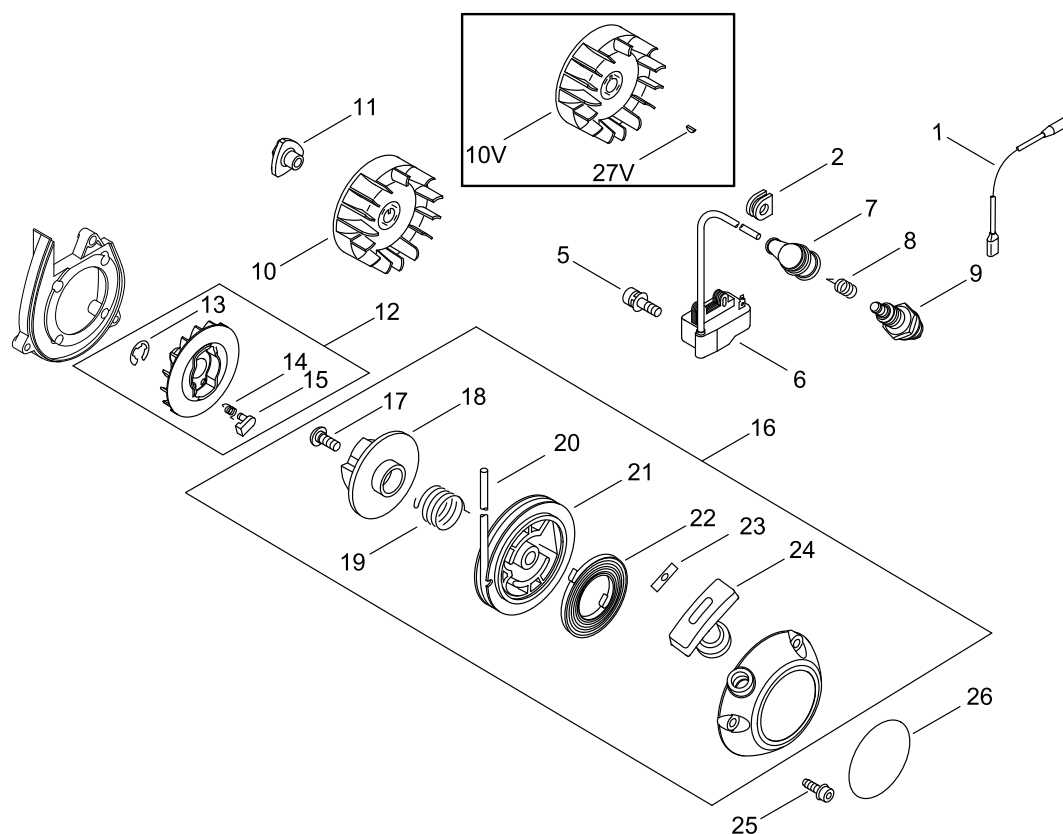
# CYLINDER, CRANKCASE, PISTON



## CYLINDER, CRANKCASE, PISTON

KEY NO	LV(+)	Part No	Description	Qty	Standard	Comment
1		900106-05008	BOLT, H.S. 5* 8	3	5*8	
2		A160-000771	COVER,CYLINDER	1		
3		156110-04920	BUSHING	1		
4		A130-000780	CYLINDER	1		
5		900162-05025	BOLT, H.S. 5*25	4	5*25 W,SW	
6		V100-000190	GASKET,CYL	1		
7		P021-010260	PISTON KIT	1		
8	+	A101-000140	RING, PISTON	1	B1.2 T1.5	
9	+	V606-000000	PIN,ENG 8	1	5*8*28	
10	+	100015-04630	CIRCLIP, PISTON PIN	2		
11	+	100014-11520	SPACER, PISTON PIN	2		
12		A011-000371	CRANKSHAFT,ASM	1		
13		P021-008231	CRANKCASE KIT	1		
14	+	100212-42031	OILSEAL	2	ISCD 12*22*4.5	
15	+	900162-05028	BOLT, H.S. 5*28	3	5*28 W,SW	
16	+	100242-42030	GASKET, CRANKCASE	1		
17	+	94035-36201	BEARING BALL	2	6201X3JR2C3	
18	+	100215-03930	PIN, DOWEL	2		
19		V485-000800	LEAD	1	L:90	
20		152115-05530	BUSHING	1		

# STARTER, MAGNETO

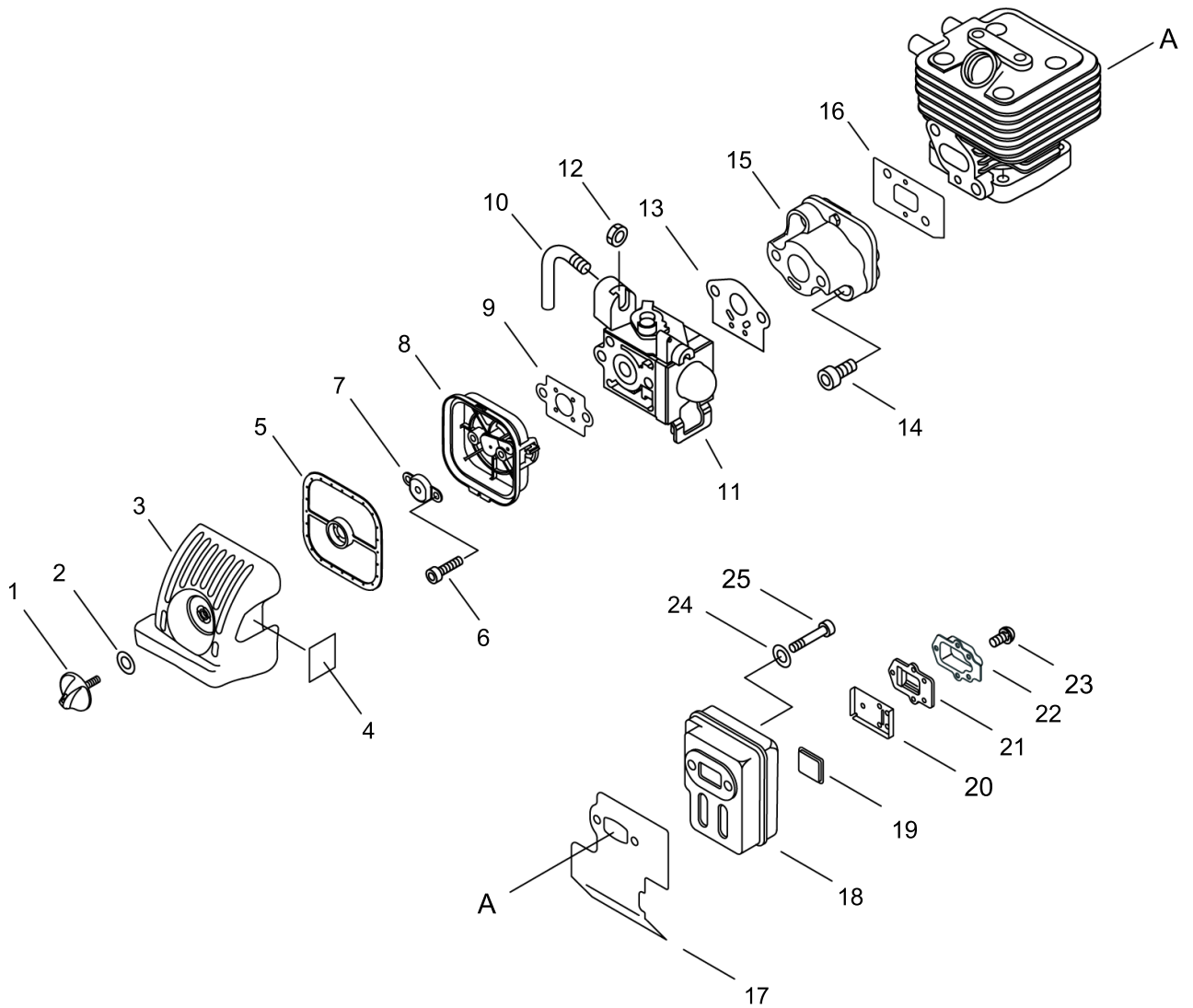


060791

## STARTER, MAGNETO

KEY NO	LV(+)	Part No	Description	Qty	Standard	Comment
1		V485-000740	LEAD	1		
2		156110-04920	BUSHING	1		
5		91113-04020	BOLT	2	CM-4*20 SW,W	
6		A411-000290	COIL, IGNITION	1	EMG-60 ID#C10146	
7		A427-000013	CAP, SPARK PLUG	1		
8		A426-000010	TERMINAL, SPARKPLUG	1		
9		A425-000000	SPARKPLUG	1	BPMR8Y	
10		A409-000210	ROTOR, MAGNETO	1		
10V		A409-001280	ROTOR, MAGNETO	1		
11		E101-000122	HUB, FAN	1		
12		A052-000250	PULLEY, ASM STARTER	1		
13	+	900700-00004	E-RING 4	2	CE-4	
14	+	V452-000280	SPRING, TORSION	2		
15	+	A514-000070	PAWL	2		
16		A051-002720	STARTER, RECOIL	1		
17	+	177236-61830	SCREW	1		
18	+	P022-028000	PLATE, CAM	1		
19	+	P022-008270	SPRING, DAMPER	1		
20	+	P022-008260	ROPE	1	3M/M	
21	+	P022-027980	DRUM, STARTER	1		
22	+	177220-42030	SPRING, REWIND	1		
23	+	177246-11120	CLIP, STARTER ROPE	1		
24	+	177228-27030	GRIP, STARTER	1		
25		91145-05016	BOLT HS TAPPING	3	5*16	
26		X502-000330	LABEL, ECHO	1	ECHO	
27V		100142-12330	KEY, WOODRUFF	1		

# AIR CLEANER, CARBURETOR, MUFFLER

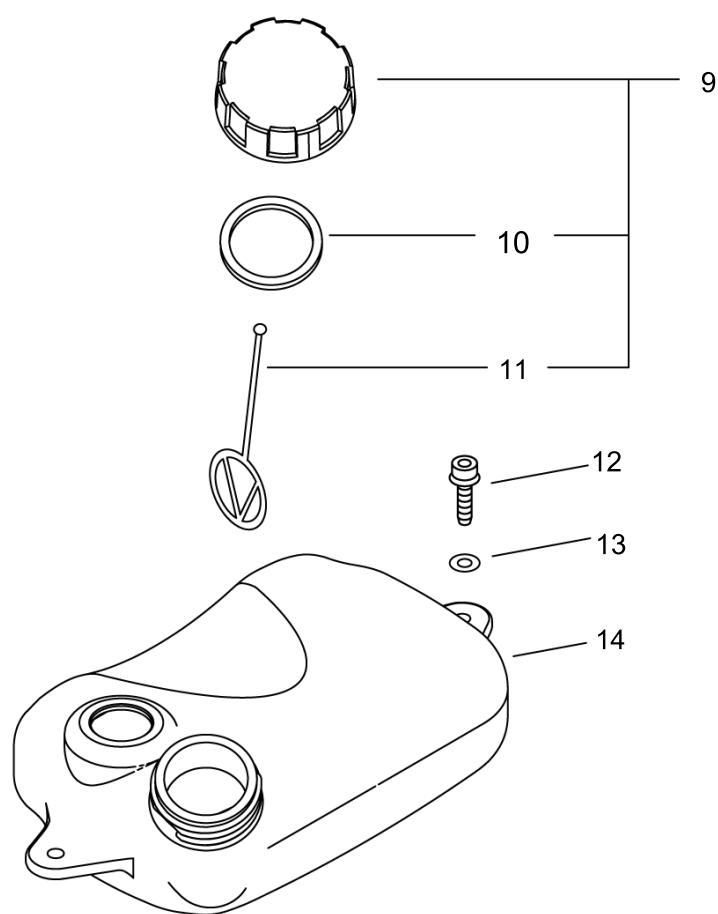
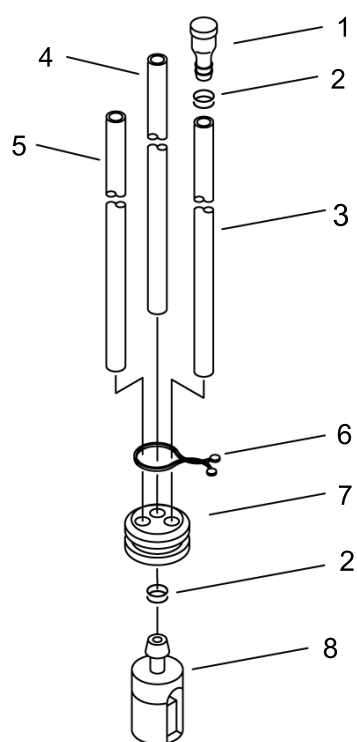


## AIR CLEANER, CARBURETOR, MUFFLER

KEY NO	LV(+)	Part No	Description	Qty	Standard	Comment
1		V299-000250	KNOB,FASTENER	1		
2		131911-03460	WASHER	1		
3		A232-000340	LID,CLEANER	1	ID#1220	
4		X506-000090	LABEL,CHOKE	1		
5		A226-000472	ELEMENT, AIR FILTER	1		
6		900105-05060	BOLT, H.S. 5*60	2	5*60	
7		A244-000070	PLATE,PREVENT	1		
8		P021-010980	CLEANER CASE ASY	1		
9		130016-42031	GASKET, INTAKE	1		
10		C482-000040	CONNECTOR, CABLE	1		
11		A021-001350	CARBURETOR, DIAPHRAGM	1	RB-X1567B	
12		92003-07000	NUT	1	3N-7*0.75	
13		130010-13410	GASKET, INTAKE	1		
14		900162-05025	BOLT, H.S. 5*25	2	5*25 W,SW	
15		A200-000280	INSULATOR, INTAKE	1		
16		V103-000300	GASKET,INTAKE	1	T:0.5	
17		V104-000750	GASKET,EXHAUST	1	NP7003	
18		A300-001630	MUFFLER, EXHAUST	1		
19		A310-000070	SCREEN, ARRESTOR	1	22*28*3	
20		V104-000840	GASKET,EXHAUST	1		
21		A313-000840	GUIDE, EXHAUST	1	20.5*3	
22		A313-001800	GUIDE, EXHAUST	1		
23		91367-04010	SCREW	5	4*10/SW(SUS)	
24		900603-00005	WASHER 5	2	5.5*12*0.8	
25		V203-000190	BOLT,5	2	AN A2-70	



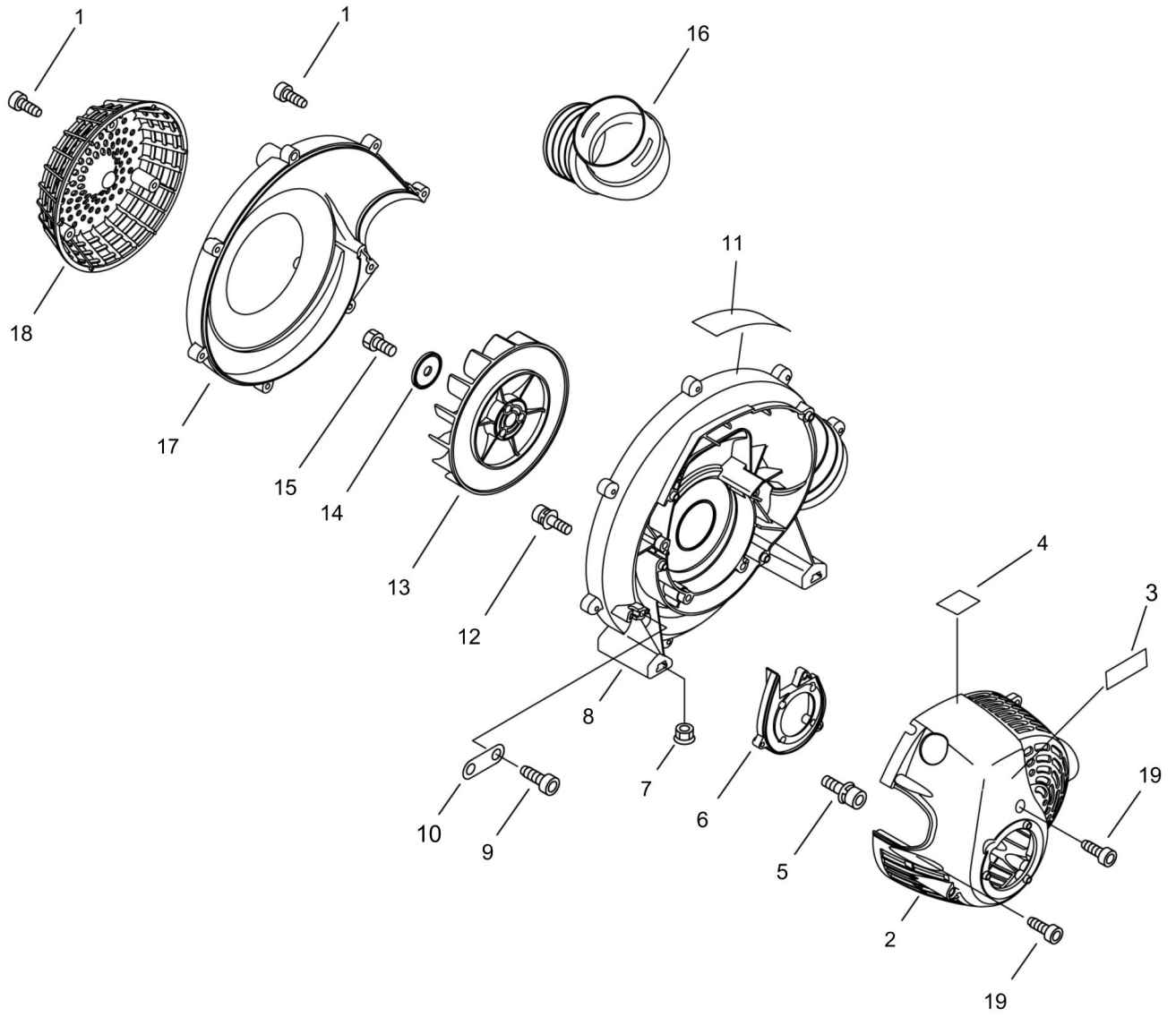
# FUEL TANK



## FUEL TANK

KEY NO	LV(+)	Part No	Description	Qty	Standard	Comment
1		A356-000031	VALVE,CHECK	1		
2		V490-001240	CLIP	2	6MM	
3		V471-001200	PIPE	1	3*5*70 NBR	
4		V471-001230	PIPE	1	3*5*210 NBR	
5		V471-003000	PIPE	1	3*6*125	
6		132013-05060	CLIP, PIPE	1		
7		132115-55930	GROMMET, FUEL	1		
8		131205-07320	STRAINER, FUEL	1		
9		131004-55530	CAP ASSY, FUEL TANK	1		
10	+	131016-55830	GASKET, FUEL CAP	1		
11	+	131051-56030	CLIP, FUEL CAP	1	100L	
12		91147-05020	BOLT HS FL TAPP	2		
13		613019-07350	WASHER 5.5*16*2T	2	5.5*16*2T	
14		A350-000560	TANK, FUEL	1		

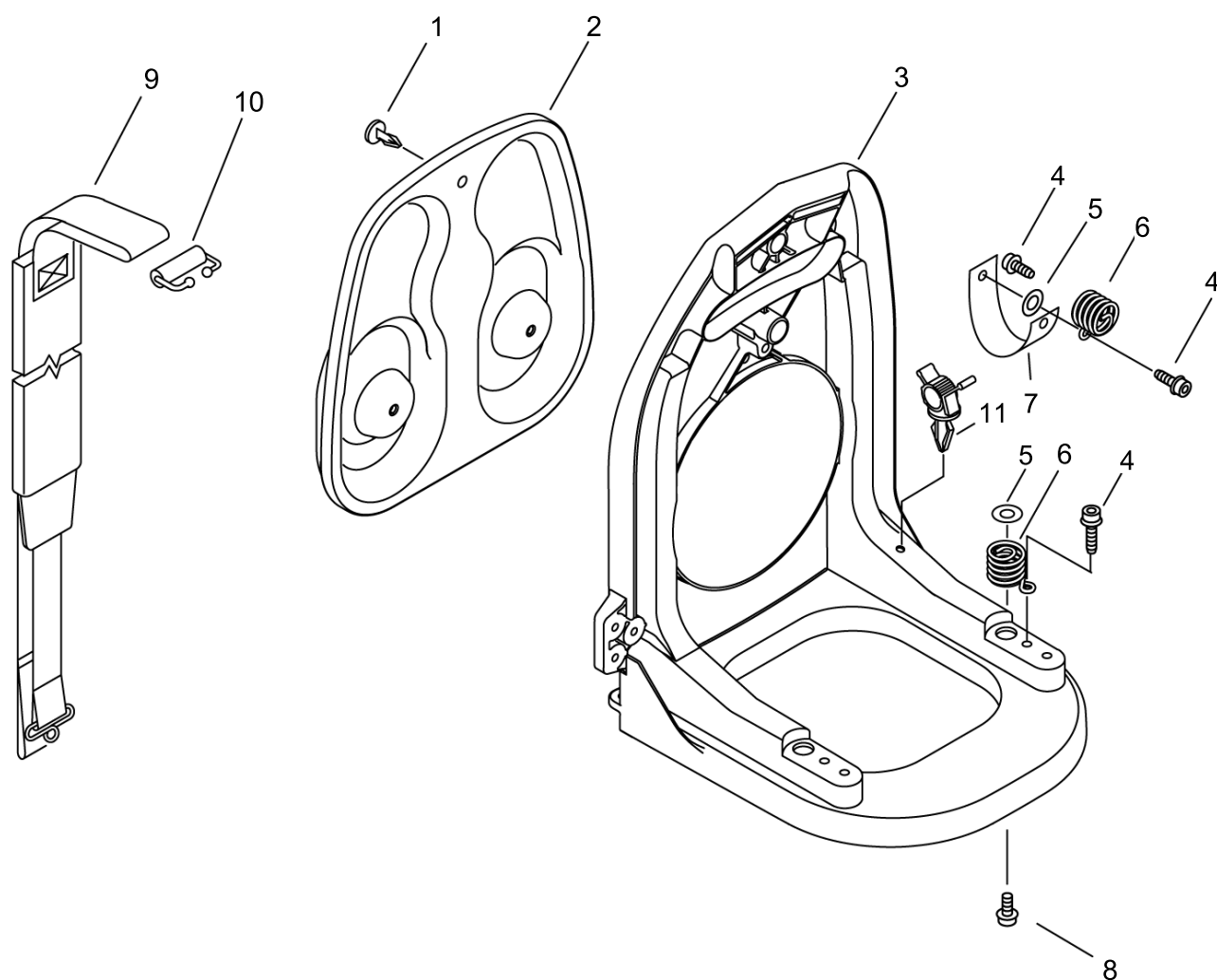
# FAN CASE



## FAN CASE

KEY NO	LV(+)	Part No	Description	Qty	Standard	Comment
1		91145-05020	BOLT HS TAPPING	11	5*20	
2		A190-000581	COVER,ENGINE	1		
3		X503-011880	LABEL,MODEL	1		
4		X505-002310	LABEL,CAUTION	1	HOT CAUTION	
5		900163-04016	BOLT HSH	4		
6		V376-000830	SPACER	1		
7		V263-000070	NUT,5	2		
8		E103-000380	CASE,FAN	1		
9		91145-05016	BOLT HS TAPPING	1	5*16	
10		V150-001350	PLATE,EYE	1		
11		X505-002080	LABEL,CAUTION	1		
12		900162-04020	BOLT, H.S. 4*20	4	4*20 W,SW	
13		E100-000260	FAN,BLOWER	1		
14		100143-19830	WASHER	1	8.2*31*0.8	
15		900100-08014	BOLT 8*14	1	8*14	
16		E160-000111	PIPE,MAIN	1		
17		E103-000390	CASE,FAN	1		
18		E104-000071	GRID, BLOWER	1		
19		91145-05016	BOLT HS TAPPING	7	5*16	

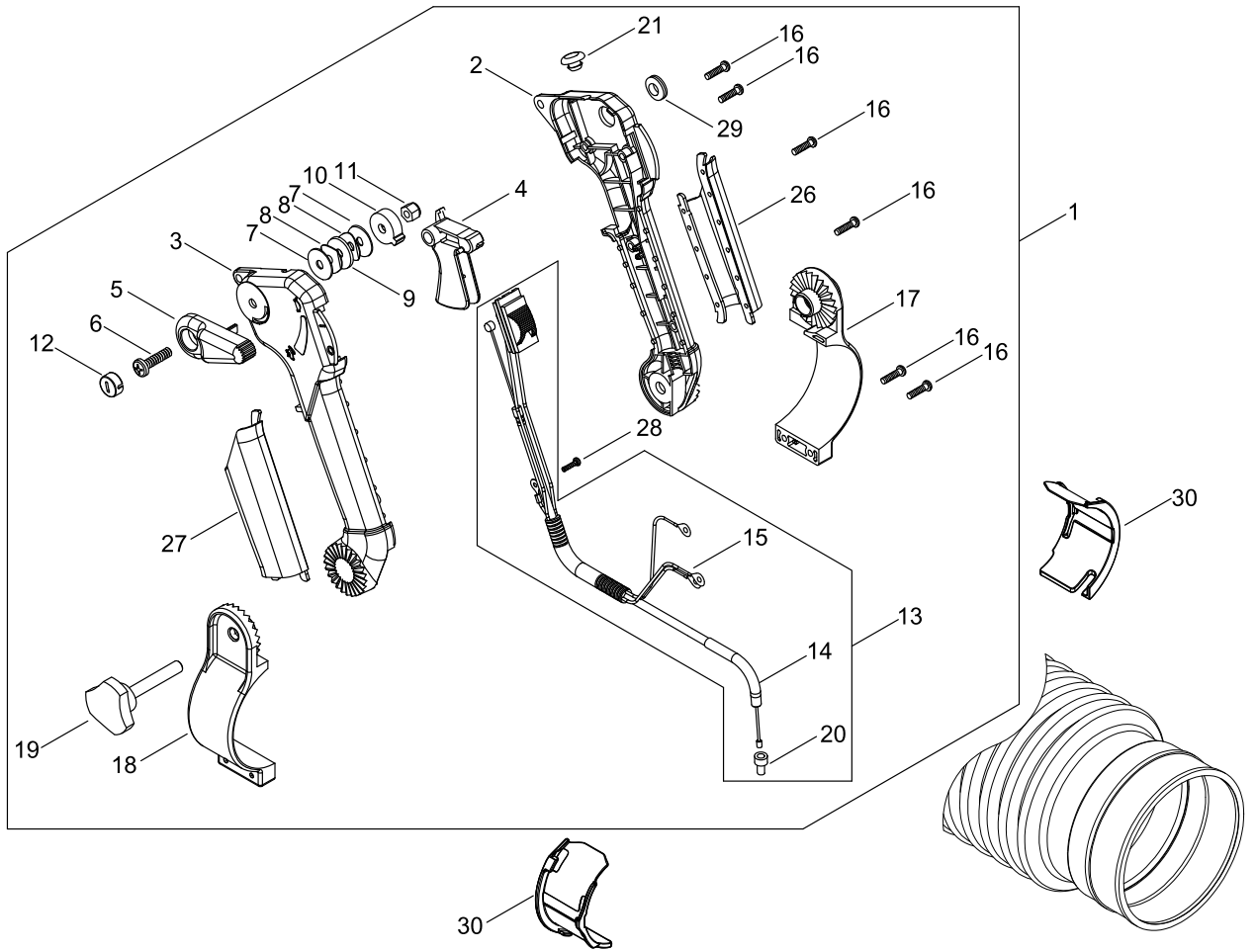
# FRAME



## FRAME

KEY NO	LV(+)	Part No	Description	Qty	Standard	Comment
1		300333-06160	CLIP	3		
2		C630-000040	SEAT, BACKPACK	1		
3		C620-000290	FRAME, BACKPACK	1		
4		91147-05020	BOLT HS FL TAPP	4		
5		613019-07350	WASHER 5.5*16*2T	4	5.5*16*2T	
6		V450-000551	SPRING, COMPRESSION	3		
7		C617-000380	STOPPER	1	T:1.2X100	
8		900106-05014	BOLT, H.S. 5*14	2	5*14	
9		C061-000190	HARNESS, ASM BACKPACK	2		
10		V491-000040	CLIP	2		
11		V491-000110	CLIP	1	.308/.433 CABLE	

# THROTTLE

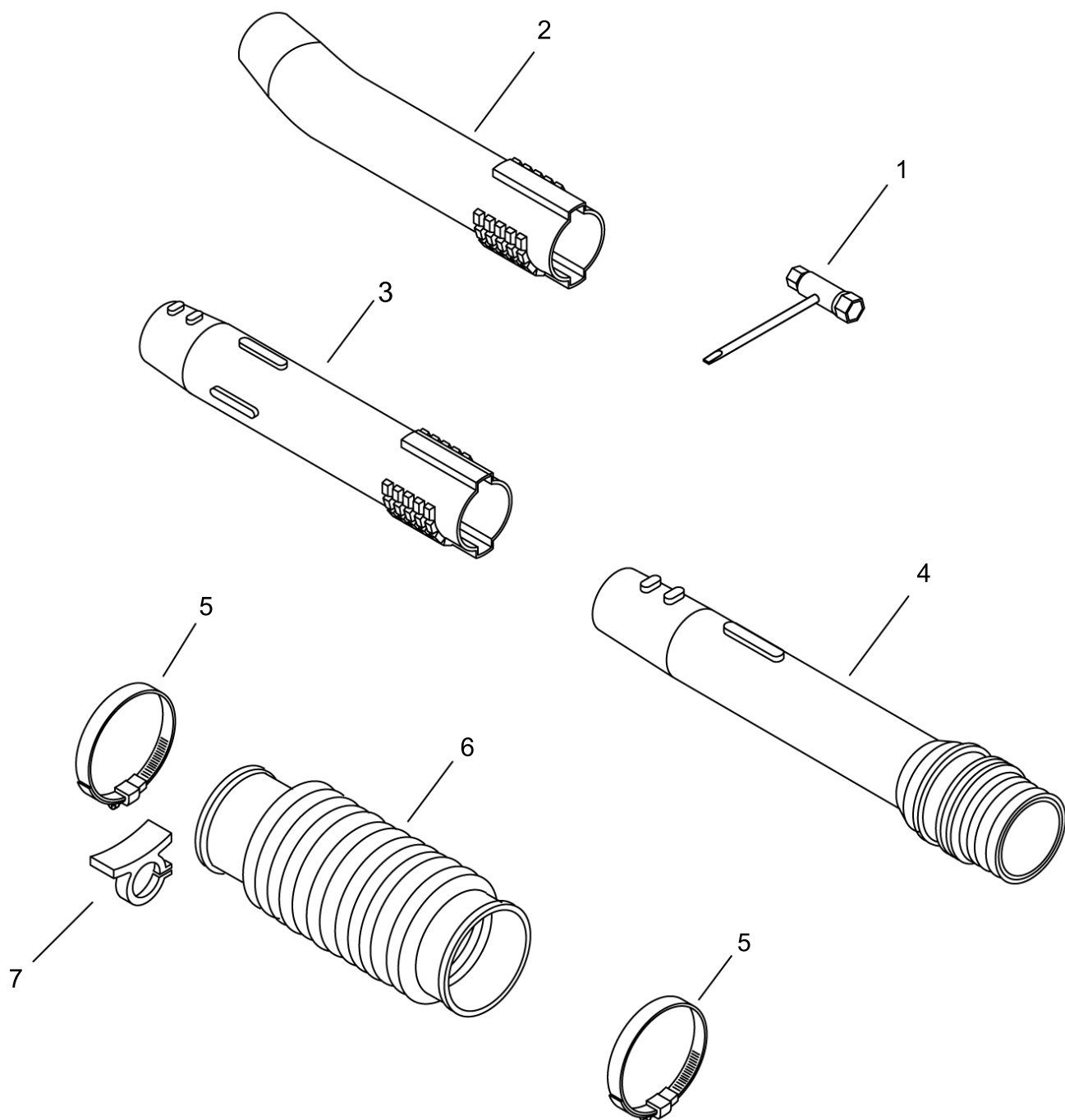


## THROTTLE

KEY NO	LV(+)	Part No	Description	Qty	Standard	Comment
1		P021-041460	CONTROL, THROTTLE	1		
2	+	C400-000571	HANDLE, FRONT	1	RIGHT	
3	+	C400-000581	HANDLE, FRONT	1	LEFT	
4	+	C450-000770	TRIGGER,THROTTLE	1		
5	+	C453-000450	LEVER,THROTTLE	1		
6	+	V204-000260	ADJUST BOLT	1		
7	+	V304-000110	WASHER	2		
8	+	V453-000110	ADJ SPRING	2		
9	+	V304-000120	WASHER	1		
10	+	C472-000070	PLATE	1		
11	+	V264-000080	NYLON NUT	1		
12	+	V162-000330	RUBBER CAP	1		
13	+	V043-000920	CABLE ASY, CONTROL	1		
14	++	V430-004380	CABLE,BOWDEN	1		
20	++	V494-000820	CAP	1		
15	++	A440-002280	SWITCH, ON OFF	1		
16	+	V252-000070	SCREW	6		
17	+	C405-000380	BAND RIGHT	1		
18	+	C405-000390	BAND LEFT	1		
19	+	V299-000330	KNOB BOLT	1		
21	+	V162-000340	PLUG	1		
26	+	C412-000240	GRIP	1		
27	+	C412-000250	GRIP	1		
28	+	V251-000030	SCREW	1		
29	+	101578-38431	PLUG	1		
30		E281-000010	COLLAR,BLOW PIPE	2		



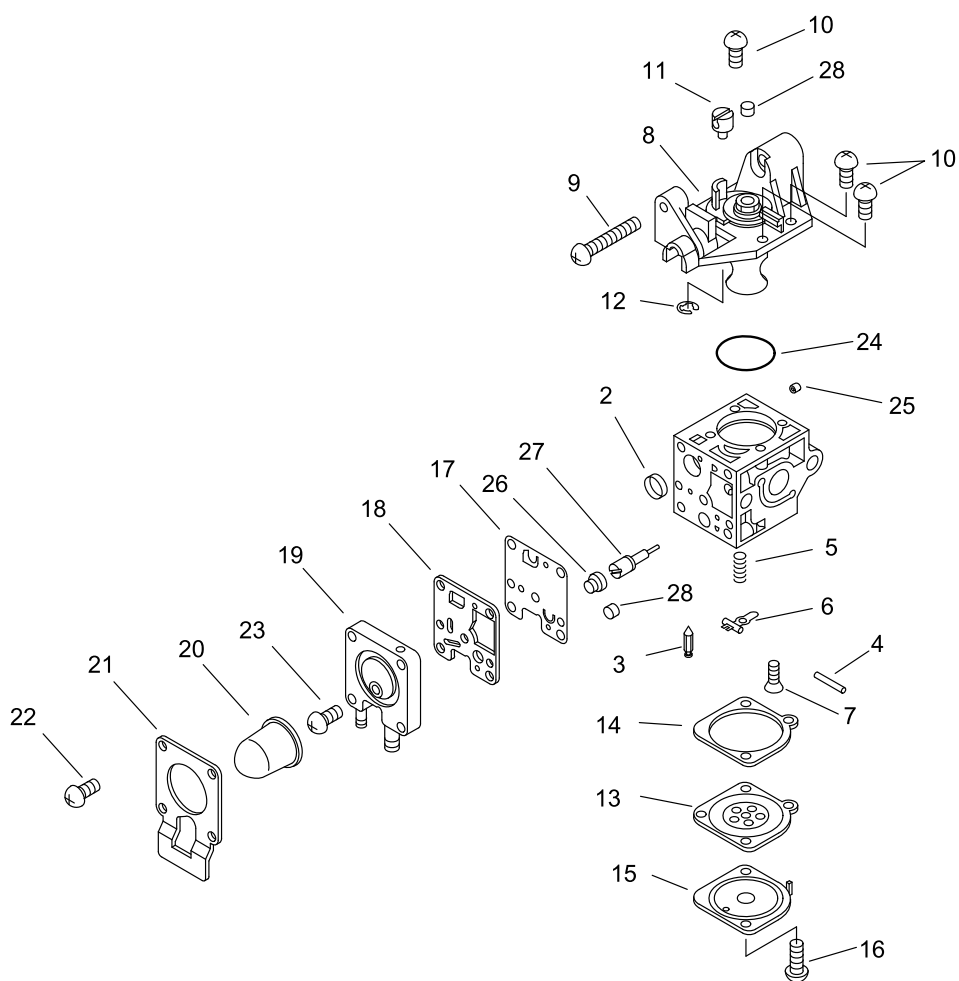
# PIPE



## PIPE

KEY NO	LV(+)	Part No	Description	Qty	Standard	Comment
1		895410-06960	WRENCH, W/S-DRIVER	1		
2		E165-000160	PIPE,BLOWER	1	418MM*65/79MM	
3		E165-000141	PIPE,BLOWER	1	418MM * 73/79MM	
4		E165-000130	PIPE,BLOWER	1	362MM*73/84MM	
5		V495-000430	BAND	2	58.7MM / 82.5MM	
6		E164-000000	PIPE,FLEXIBLE	1		
7		V491-000191	CLIP	1		

# CARBURETOR



## CARBURETOR

KEY NO	LV(+)	Part No	Description	Qty	Standard	Comment
		A021-001350	CARBURETOR, DIAPHRAGM	1	RB-X1567B	
2	+	P005-000010	STRAINER	1		
3	+	125337-08260	VALVE, INLET NEEDLE	1		
4	+	125338-13930	PIN, METERING ARM	1		
5	+	P005-000940	SPRING, METER. LEVER	1		
6	+	125323-08260	ARM, VALVE	1		
7	+	125339-42030	SCREW	1		
8	+	P005-002000	COVER ASY, ROTOR	1		
9	+	P005-000100	SCREW, THROTTLEADJUST	1		
10	+	125344-13931	SCREW	3		
11	+	P005-001240	POST	1		
12	+	P005-000190	E-RING	1		
13	+	P005-001780	DIAPHRAGM	1		
14	+	P005-000200	GASKET, METERING	1		
15	+	125342-52130	COVER, DIAPHRAGM	1		
16	+	125344-52130	SCREW	2		
17	+	P005-000510	DIAPHRAGM, PUMP	1		
18	+	P005-000520	GASKET, PUMP	1		
19	+	P005-001890	BASE, ASY PRIMER	1		
20	+	125381-46730	PUMP, PRIMING	1		
21	+	P005-000250	RETAINER	1		
22	+	P005-001900	SCREW	4		
23	+	P005-000270	SCREW	1		
24	+	P005-000280	O-RING	1		
25	+	P005-001000	ROLLER, GUIDE	1		
26	+	P005-001250	RETAINER,PLUG BALL	1		
27	+	P005-001260	SCREW,MAINN MIXTURE	1		
28	+	P005-001270	PLUG, H AJUST SCREW	2		

# NUMERICAL PARTS INDEX

Part No	Part description	Page	Part No	Part description	Page	Part No	Part description	Page
100014-1-1520	SPACER, PISTON PIN	2	132115-5-5930	GROMMET, FUEL	8	91145-05-016	BOLT HS TAPPING	4
100015-0-4630	CIRCLIP, PISTON PIN	2	152115-0-5530	BUSHING	2	91145-05-016	BOLT HS TAPPING	10
100142-1-2330	KEY, WOODRUFF	4	156110-0-4920	BUSHING	2	91145-05-020	BOLT HS TAPPING	10
100143-1-9830	WASHER	10	156110-0-4920	BUSHING	4	91147-05-020	BOLT HS FL TAPP	8
100212-4-2031	OILSEAL	2	177220-4-2030	SPRING, REWIND	4	91147-05-020	BOLT HS FL TAPP	12
100215-0-3930	PIN, DOWEL	2	177228-2-7030	GRIP, STARTER	4	91367-04-010	SCREW	6
100242-4-2030	GASKET, CRANKCASE	2	177236-6-1830	SCREW	4	92003-07-000	NUT	6
101578-3-8431	PLUG	14	177246-1-1120	CLIP, STARTER ROPE	4	94035-36-201	BEARING BALL	2
125323-0-8260	ARM, VALVE	18	300333-0-6160	CLIP	12	A011-00-0371	CRANKSHAFT,ASM	2
125337-0-8260	VALVE, INLET NEEDLE	18	613019-0-7350	WASHER 5.5*16*2T	8	A021-00-1350	CARBURETOR, DIAPHRAGM	6
125338-1-3930	PIN, METERING ARM	18	613019-0-7350	WASHER 5.5*16*2T	12	A021-00-1350	CARBURETOR, DIAPHRAGM	18
125339-4-2030	SCREW	18	895410-0-6960	WRENCH, W/S-DRIVER	16	A051-00-2720	STARTER,RECOIL	4
125342-5-2130	COVER, DIAPHRAGM	18	900100-0-8014	BOLT 8*14	10	A052-00-0250	PULLEY,ASM STARTER	4
125344-1-3931	SCREW	18	900105-0-5060	BOLT, H.S. 5*60	6	A101-00-0140	RING, PISTON	2
125344-5-2130	SCREW	18	900106-0-5008	BOLT, H.S. 5* 8	2	A130-00-0780	CYLINDER	2
125381-4-6730	PUMP, PRIMING	18	900106-0-5014	BOLT, H.S. 5*14	12	A160-00-0771	COVER,CYLINDER	2
130010-1-3410	GASKET, INTAKE	6	900162-0-4020	BOLT, H.S. 4*20	10	A190-00-0581	COVER,ENGINE	10
130016-4-2031	GASKET, INTAKE	6	900162-0-5025	BOLT, H.S. 5*25	2	A200-00-0280	INSULATOR, INTAKE	6
131004-5-5530	CAP ASSY, FUEL TANK	8	900162-0-5025	BOLT, H.S. 5*25	6	A226-00-0472	ELEMENT, AIR FILTER	6
131016-5-5830	GASKET, FUEL CAP	8	900162-0-5028	BOLT, H.S. 5*28	2	A232-00-0340	LID,CLEANER	6
131051-5-6030	CLIP, FUEL CAP	8	900163-0-4016	BOLT HSH	10	A244-00-0070	PLATE,PREVENT	6
131205-0-7320	STRAINER, FUEL	8	900603-0-0005	WASHER 5	6	A300-00-1630	MUFFLER, EXHAUST	6
131911-0-3460	WASHER	6	900700-0-0004	E-RING 4	4	A310-00-0070	SCREEN, ARRESTOR	6
132013-0-5060	CLIP, PIPE	8	91113-04-020	BOLT	4	A313-00-0840	GUIDE, EXHAUST	6

# NUMERICAL PARTS INDEX

Part No	Part description	Page	Part No	Part description	Page	Part No	Part description	Page
A313-00-1800	GUIDE, EXHAUST	6	C630-00-0040	SEAT, BACKPACK	12	P005-00-1250	RETAINER,PLUG BALL	18
A350-00-0560	TANK, FUEL	8	E100-00-0260	FAN,BLOWER	10	P005-00-1260	SCREW,MAINN MIXTURE	18
A356-00-0031	VALVE,CHECK	8	E101-00-0122	HUB,FAN	4	P005-00-1270	PLUG, H AJUST SCREW	18
A409-00-0210	ROTOR,MAGNETO	4	E103-00-0380	CASE,FAN	10	P005-00-1780	DIAPHRAGM	18
A409-00-1280	ROTOR,MAGNETO	4	E103-00-0390	CASE,FAN	10	P005-00-1890	BASE, ASY PRIMER	18
A411-00-0290	COIL, IGNITION	4	E104-00-0071	GRID, BLOWER	10	P005-00-1900	SCREW	18
A425-00-0000	SPARKPLUG	4	E160-00-0111	PIPE,MAIN	10	P005-00-2000	COVER ASY, ROTOR	18
A426-00-0010	TERMINAL, SPARKPLUG	4	E164-00-0000	PIPE,FLEXIBLE	16	P021-00-8231	CRANKCASE KIT	2
A427-00-0013	CAP,SPARK PLUG	4	E165-00-0130	PIPE,BLOWER	16	P021-01-0260	PISTON KIT	2
A440-00-2280	SWITCH, ON OFF	14	E165-00-0141	PIPE,BLOWER	16	P021-01-0980	CLEANER CASE ASY	6
A514-00-0070	PAWL	4	E165-00-0160	PIPE,BLOWER	16	P021-04-1460	CONTROL, THROTTLE	14
C061-00-0190	HARNESS,ASM BACKPACK	12	E281-00-0010	COLLAR,BLOW PIPE	14	P022-00-8260	ROPE	4
C400-00-0571	HANDLE, FRONT	14	P005-00-0010	STRAINER	18	P022-00-8270	SPRING,DAMPER	4
C400-00-0581	HANDLE, FRONT	14	P005-00-0100	SCREW, THROTTLEADJUST	18	P022-02-7980	DRUM, STARTER	4
C405-00-0380	BAND RIGHT	14	P005-00-0190	E-RING	18	P022-02-8000	PLATE, CAM	4
C405-00-0390	BAND LEFT	14	P005-00-0200	GASKET, METERING	18	V043-00-0920	CABLE ASY, CONTROL	14
C412-00-0240	GRIP	14	P005-00-0250	RETAINER	18	V100-00-0190	GASKET,CYL	2
C412-00-0250	GRIP	14	P005-00-0270	SCREW	18	V103-00-0300	GASKET,INTAKE	6
C450-00-0770	TRIGGER, THROTTLE	14	P005-00-0280	O-RING	18	V104-00-0750	GASKET,EXHAUST	6
C453-00-0450	LEVER,THROTTLE	14	P005-00-0510	DIAPHRAGM, PUMP	18	V104-00-0840	GASKET,EXHAUST	6
C472-00-0070	PLATE	14	P005-00-0520	GASKET, PUMP	18	V150-00-1350	PLATE,EYE	10
C482-00-0040	CONNECTOR, CABLE	6	P005-00-0940	SPRING, METER. LEVER	18	V162-00-0330	RUBBER CAP	14
C617-00-0380	STOPPER	12	P005-00-1000	ROLLER, GUIDE	18	V162-00-0340	PLUG	14
C620-00-0290	FRAME,BACKPACK	12	P005-00-1240	POST	18	V203-00-0190	BOLT,5	6

## NUMERICAL PARTS INDEX

Part No	Part description	Page	Part No	Part description	Page
V204-00-0260	ADJUST BOLT	14	V495-00-0430	BAND	16
V251-00-0030	SCREW	14	V606-00-0000	PIN,ENG 8	2
V252-00-0070	SCREW	14	X502-00-0330	LABEL,ECHO	4
V263-00-0070	NUT,5	10	X503-01-1880	LABEL,MODEL	10
V264-00-0080	NYLON NUT	14	X505-00-2080	LABEL,CAUTION	10
V299-00-0250	KNOB,FASTENER	6	X505-00-2310	LABEL,CAUTION	10
V299-00-0330	KNOB BOLT	14	X506-00-0090	LABEL,CHOKE	6
V304-00-0110	WASHER	14			
V304-00-0120	WASHER	14			
V376-00-0830	SPACER	10			
V430-00-4380	CABLE,BOWDEN	14			
V450-00-0551	SPRING, COMPRESSION	12			
V452-00-0280	SPRING,TORSION	4			
V453-00-0110	ADJ SPRING	14			
V471-00-1200	PIPE	8			
V471-00-1230	PIPE	8			
V471-00-3000	PIPE	8			
V485-00-0740	LEAD	4			
V485-00-0800	LEAD	2			
V490-00-1240	CLIP	8			
V491-00-0040	CLIP	12			
V491-00-0110	CLIP	12			
V491-00-0191	CLIP	16			
V494-00-0820	CAP	14			